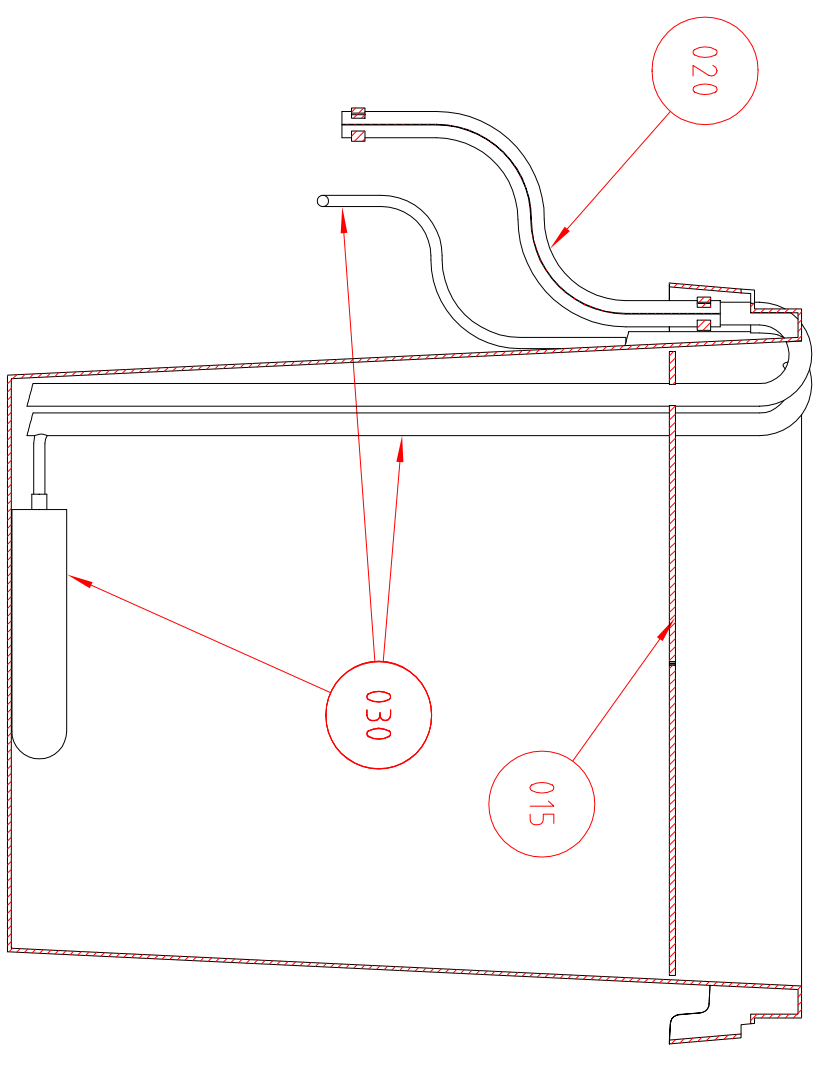
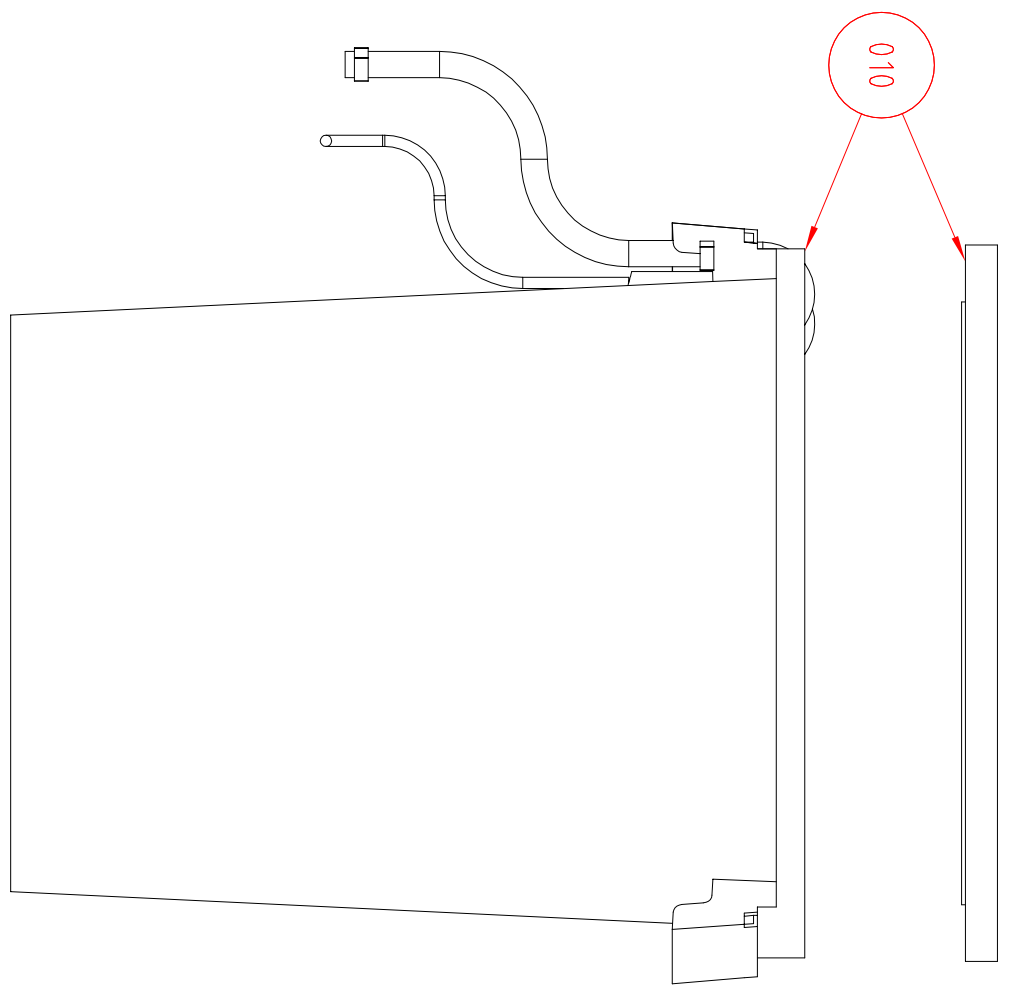
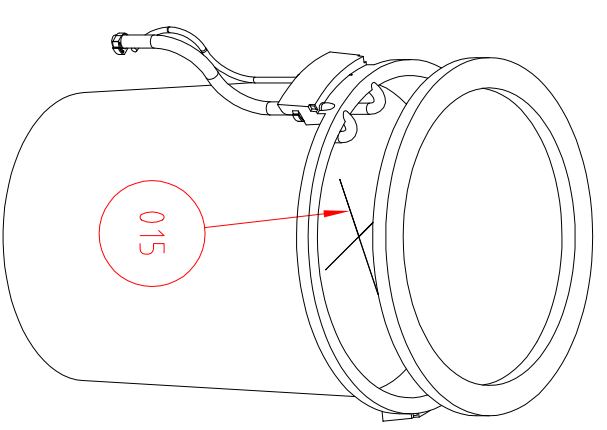


Pos.	Dwg/part nr.	Title	Pcs.
010	10-xxx		1
010-000	217077	Bucket 30L with lid	1
010-005	217335	Scale for Repl. Bucket 30L	1
015	15-xxx		1
015-000	217331	Floating Lid Flexible f. repl.	1
020	20-xxx		1
020-000	217332	Suction pipe U-shaped 415mm	1
020-005	66377	Tube 3/8" Blue F. Repl.	350
020-010	68309	Hose Clamp, Plast E 12,9-15,5	2
030	30-xxx		1
030-000	305529	Level alarm sensor Empty	1



This Document contains proprietary data of Echo Graphic. No information, reproduction or use of any part thereof may be used without written permission.

Tolerance unless otherwise specified:
 machined surfaces ISO 2768 - M
 measurements under 120mm after folding ±0,5

Surface Treatment/Finish	-
Draft Date	03-10-2002
Drawn by	ck

>	≤	+
0,5	6	0,1
6	30	0,2
30	120	0,3
120	400	0,5
400	1000	0,8
1000	2000	1,2
2000	4000	2,0

Echo Graphic
 Echo Graphic A/S Phone int.: +45 98 57 19 55
 2. Haandvaerkervej Fax int.: +45 98 57 15 91
 DK 9560 Hadsund e-mail: info@echographic.dk
 Denmark www.echographic.dk

Drawing Title	Stab. repl.cont. 30L level alarm
Size	A3
Sheet Number	1
Scale	1:4
DWG NO	305557
REV	-