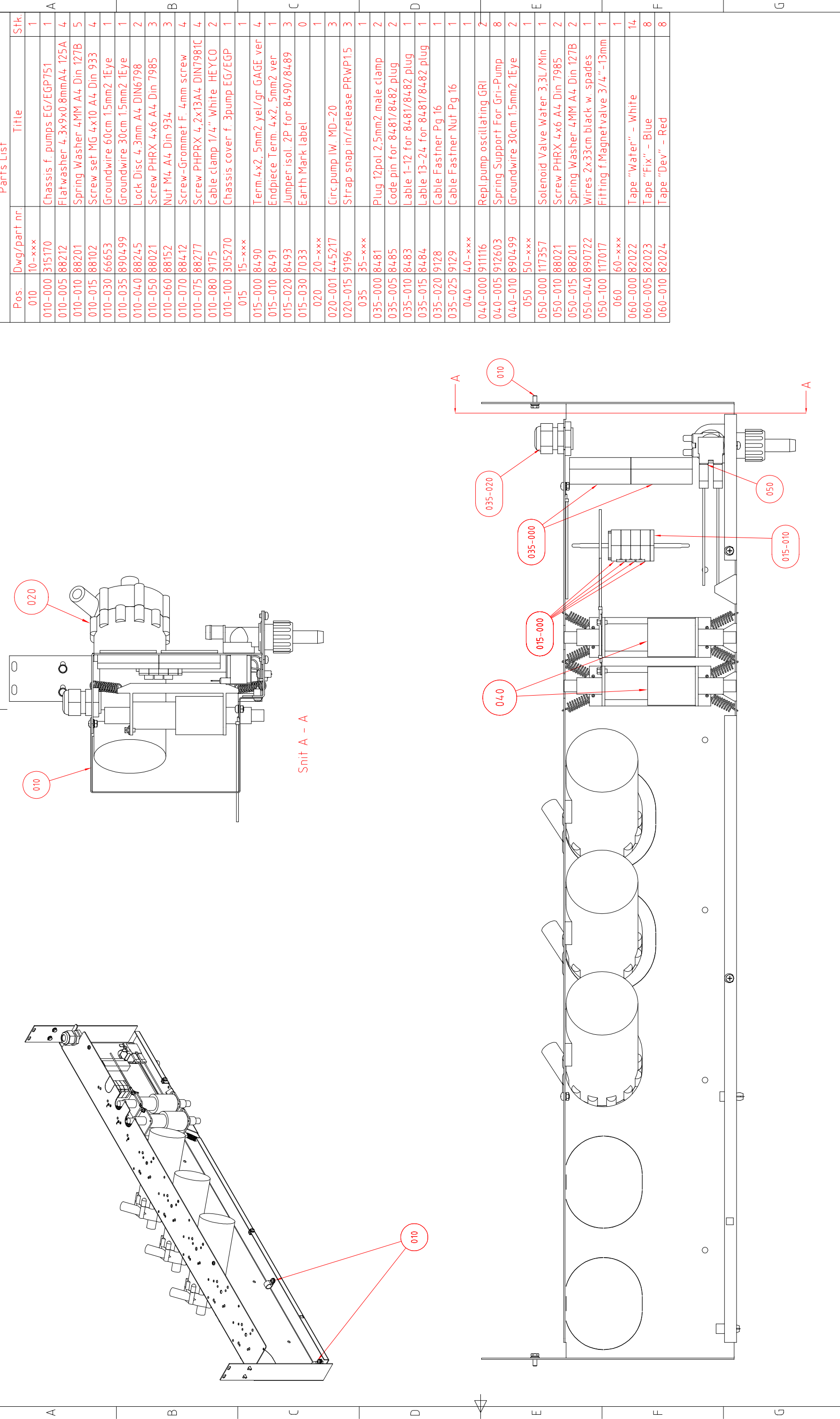


1 2 3 4 5 6 7 8



Snit A - A

Pos.	Dwg/part nr.	Title	Stk.
010	10-xxx		1
010-000	315170	Chassis f. pumps EG/EGP751	1
010-005	88212	Flatwasher 4,3x9x0,8mmA4 125A	4
010-010	88201	Spring Washer 4MM A4 Din 127B	5
010-015	88102	Screw set MG 4x10 A4 Din 933	4
010-030	66653	Groundwire 60cm 1.5mm2 1Eye	1
010-035	890499	Groundwire 30cm 1.5mm2 1Eye	1
010-040	88245	Lock Disc 4,3mm A4 DIN6798	2
010-050	88021	Screw PHRX 4x6 A4 Din 7985	3
010-060	88152	Nut M4 A4 Din 934	3
010-070	88412	Screw-Grommet F. 4mm screw	4
010-075	88277	Screw PHPRX 4,2x13A4 DIN7981C	4
010-080	9175	Cable clamp 1/4" White HEYCO	2
010-100	305270	Chassis cover f. 3pump EG/EGP	1
015	15-xxx		1
015-000	8490	Term.4x2,5mm2 yel/gr GAGE ver	4
015-010	8491	Endpiece Term. 4x2,5mm2 ver	1
015-020	8493	Jumper isol. 2P for 8490/8489	3
015-030	7033	Earth Mark label	0
020	20-xxx		1
020-001	445217	Circ.pump IW MD-20	3
020-015	9196	Strap snap in/release PRWP1.5	3
035	35-xxx		1
035-000	8481	Plug 12pol 2,5mm2 male clamp	2
035-005	8485	Code pin for 8481/8482 plug	2
035-010	8483	Lable 1-12 for 8481/8482 plug	1
035-015	8484	Lable 13-24 for 8481/8482 plug	1
035-020	9128	Cable Fastner Pg 16	1
035-025	9129	Cable Fastner Nut Pg 16	1
040	40-xxx		1
040-000	911116	Repl.pump oscillating GRI	2
040-005	912603	Spring Support For Gri-Pump	8
040-010	890499	Groundwire 30cm 1.5mm2 1Eye	2
050	50-xxx		1
050-000	117357	Solenoid Valve Water 3,3L/Min	1
050-010	88021	Screw PHRX 4x6 A4 Din 7985	2
050-015	88201	Spring Washer 4MM A4 Din 127B	2
050-040	890722	Wires 2x33cm black w. spades	1
050-100	117017	Fitting f.Magnetvalve 3/4" - 13mm	1
060	60-xxx		1
060-000	82022	Tape "Water" - White	14
060-005	82023	Tape "Fix" - Blue	8
060-010	82024	Tape "Dev" - Red	8

This Document contains proprietary data of Echo Graphic. No information, reproduction or use of any part there of may be used without written permission.

Tolerance unless otherwise specified:  
 machined surfaces ISO 2768 - M  
 measurements under 120mm after folding  
 ±0,5

0.5	6.1	0.1
0.6	3.0	0.2
0.8	1.0	0.3
1.0	0.5	0.4
1.2	0.3	0.5
1.5	0.2	0.6
2.0	0.1	0.8
2.5	0.1	1.0
3.0	0.1	1.2
4.0	0.1	1.5
5.0	0.1	2.0
6.0	0.1	2.5
8.0	0.1	3.0
10.0	0.1	4.0
12.0	0.1	5.0
15.0	0.1	6.0
20.0	0.1	8.0
25.0	0.1	10.0
30.0	0.1	12.0
40.0	0.1	15.0
50.0	0.1	20.0
60.0	0.1	25.0
80.0	0.1	30.0
100.0	0.1	40.0
120.0	0.1	50.0
150.0	0.1	60.0
200.0	0.1	80.0
250.0	0.1	100.0
300.0	0.1	120.0
400.0	0.1	150.0
500.0	0.1	200.0
600.0	0.1	250.0
800.0	0.1	300.0
1000.0	0.1	400.0
1200.0	0.1	500.0
1500.0	0.1	600.0
2000.0	0.1	800.0
2500.0	0.1	1000.0
3000.0	0.1	1200.0
4000.0	0.1	1500.0
5000.0	0.1	2000.0
6000.0	0.1	2500.0
8000.0	0.1	3000.0
10000.0	0.1	4000.0
12000.0	0.1	5000.0
15000.0	0.1	6000.0
20000.0	0.1	8000.0
25000.0	0.1	10000.0
30000.0	0.1	12000.0
40000.0	0.1	15000.0
50000.0	0.1	20000.0
60000.0	0.1	25000.0
80000.0	0.1	30000.0
100000.0	0.1	40000.0
120000.0	0.1	50000.0
150000.0	0.1	60000.0
200000.0	0.1	80000.0
250000.0	0.1	100000.0
300000.0	0.1	120000.0
400000.0	0.1	150000.0
500000.0	0.1	200000.0
600000.0	0.1	250000.0
800000.0	0.1	300000.0
1000000.0	0.1	400000.0
1200000.0	0.1	500000.0
1500000.0	0.1	600000.0
2000000.0	0.1	800000.0
2500000.0	0.1	1000000.0
3000000.0	0.1	1200000.0
4000000.0	0.1	1500000.0
5000000.0	0.1	2000000.0
6000000.0	0.1	2500000.0
8000000.0	0.1	3000000.0
10000000.0	0.1	4000000.0
12000000.0	0.1	5000000.0
15000000.0	0.1	6000000.0
20000000.0	0.1	8000000.0
25000000.0	0.1	10000000.0
30000000.0	0.1	12000000.0
40000000.0	0.1	15000000.0
50000000.0	0.1	20000000.0
60000000.0	0.1	25000000.0
80000000.0	0.1	30000000.0
100000000.0	0.1	40000000.0
120000000.0	0.1	50000000.0
150000000.0	0.1	60000000.0
200000000.0	0.1	80000000.0
250000000.0	0.1	100000000.0
300000000.0	0.1	120000000.0
400000000.0	0.1	150000000.0
500000000.0	0.1	200000000.0
600000000.0	0.1	250000000.0
800000000.0	0.1	300000000.0
1000000000.0	0.1	400000000.0
1200000000.0	0.1	500000000.0
1500000000.0	0.1	600000000.0
2000000000.0	0.1	800000000.0
2500000000.0	0.1	1000000000.0
3000000000.0	0.1	1200000000.0
4000000000.0	0.1	1500000000.0
5000000000.0	0.1	2000000000.0
6000000000.0	0.1	2500000000.0
8000000000.0	0.1	3000000000.0
10000000000.0	0.1	4000000000.0
12000000000.0	0.1	5000000000.0
15000000000.0	0.1	6000000000.0
20000000000.0	0.1	8000000000.0
25000000000.0	0.1	10000000000.0
30000000000.0	0.1	12000000000.0
40000000000.0	0.1	15000000000.0
50000000000.0	0.1	20000000000.0
60000000000.0	0.1	25000000000.0
80000000000.0	0.1	30000000000.0
100000000000.0	0.1	40000000000.0
120000000000.0	0.1	50000000000.0
150000000000.0	0.1	60000000000.0
200000000000.0	0.1	80000000000.0
250000000000.0	0.1	100000000000.0
300000000000.0	0.1	120000000000.0
400000000000.0	0.1	150000000000.0
500000000000.0	0.1	200000000000.0
600000000000.0	0.1	250000000000.0
800000000000.0	0.1	300000000000.0
1000000000000.0	0.1	400000000000.0
1200000000000.0	0.1	500000000000.0
1500000000000.0	0.1	600000000000.0
2000000000000.0	0.1	800000000000.0
2500000000000.0	0.1	1000000000000.0
3000000000000.0	0.1	1200000000000.0
4000000000000.0	0.1	1500000000000.0
5000000000000.0	0.1	2000000000000.0
6000000000000.0	0.1	2500000000000.0
8000000000000.0	0.1	3000000000000.0
10000000000000.0	0.1	4000000000000.0
12000000000000.0	0.1	5000000000000.0
15000000000000.0	0.1	6000000000000.0
20000000000000.0	0.1	8000000000000.0
25000000000000.0	0.1	10000000000000.0
30000000000000.0	0.1	12000000000000.0
40000000000000.0	0.1	15000000000000.0
50000000000000.0	0.1	20000000000000.0
60000000000000.0	0.1	25000000000000.0
80000000000000.0	0.1	30000000000000.0
100000000000000.0	0.1	40000000000000.0
120000000000000.0	0.1	50000000000000.0
150000000000000.0	0.1	60000000000000.0
200000000000000.0	0.1	80000000000000.0
250000000000000.0	0.1	100000000000000.0
300000000000000.0	0.1	120000000000000.0
400000000000000.0	0.1	150000000000000.0
500000000000000.0	0.1	200000000000000.0
600000000000000.0	0.1	250000000000000.0
800000000000000.0	0.1	300000000000000.0
1000000000000000.0	0.1	400000000000000.0
1200000000000000.0	0.1	500000000000000.0
1500000000000000.0	0.1	600000000000000.0
2000000000000000.0	0.1	800000000000000.0
2500000000000000.0	0.1	1000000000000000.0
3000000000000000.0	0.1	1200000000000000.0
4000000000000000.0	0.1	1500000000000000.0
5000000000000000.0	0.1	2000000000000000.0
6000000000000000.0	0.1	2500000000000000.0
8000000000000000.0	0.1	3000000000000000.0
10000000000000000.0	0.1	4000000000000000.0
12000000000000000.0	0.1	5000000000000000.0
15000000000000000.0	0.1	6000000000000000.0
20000000000000000.0	0.1	8000000000000000.0
25000000000000000.0	0.1	10000000000000000.0
30000000000000000.0	0.1	12000000000000000.0
40000000000000000.0	0.1	15000000000000000.0
50000000000000000.0	0.1	20000000000000000.0
60000000000000000.0	0.1	25000000000000000.0
80000000000000000.0	0.1	30000000000000000.0
100000000000000000.0	0.1	40000000000000000.0
120000000000000000.0	0.1	50000000000000000.0
150000000000000000.0	0.1	60000000000000000.0
200000000000000000.0	0.1	80000000000000000.0
250000000000000000.0	0.1	100000000000000000.0
300000000000000000.0	0.1	120000000000000000.0
400000000000000000.0	0.1	150000000000000000.0
500000000000000000.0	0.1	200000000000000000.0
600000000000000000.0	0.1	250000000000000000.0
800000000000000000.0	0.1	300000000000000000.0
1000000000000000000.0	0.1	400000000000000000.0
1200000000000000000.0	0.1	500000000000000000.0
1500000000000000000.0	0.1	600000000000000000.0
2000000000000000000.0	0.1	800000000000000000.0
2500000000000000000.0	0.1	1000000000000000000.0
3000000		