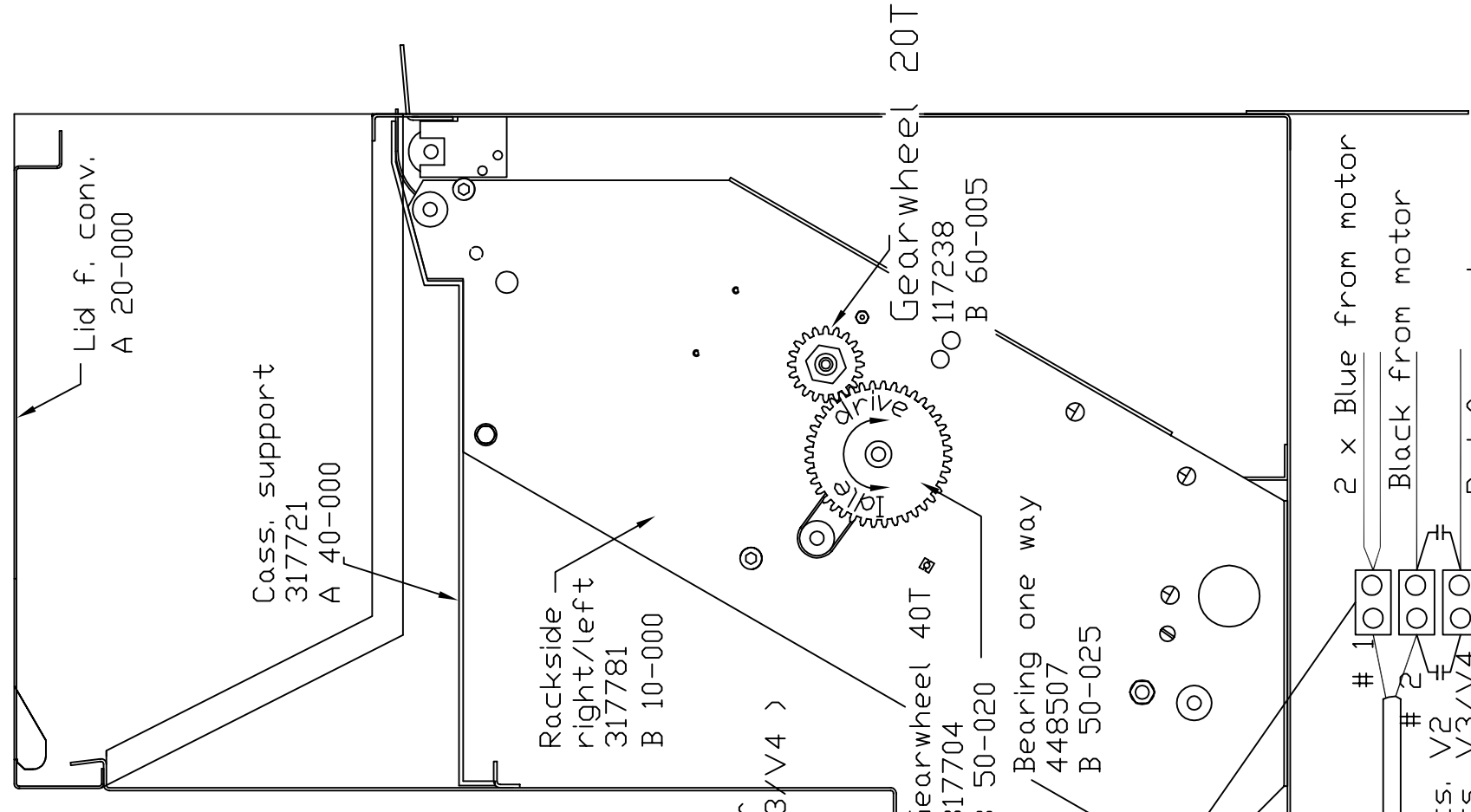
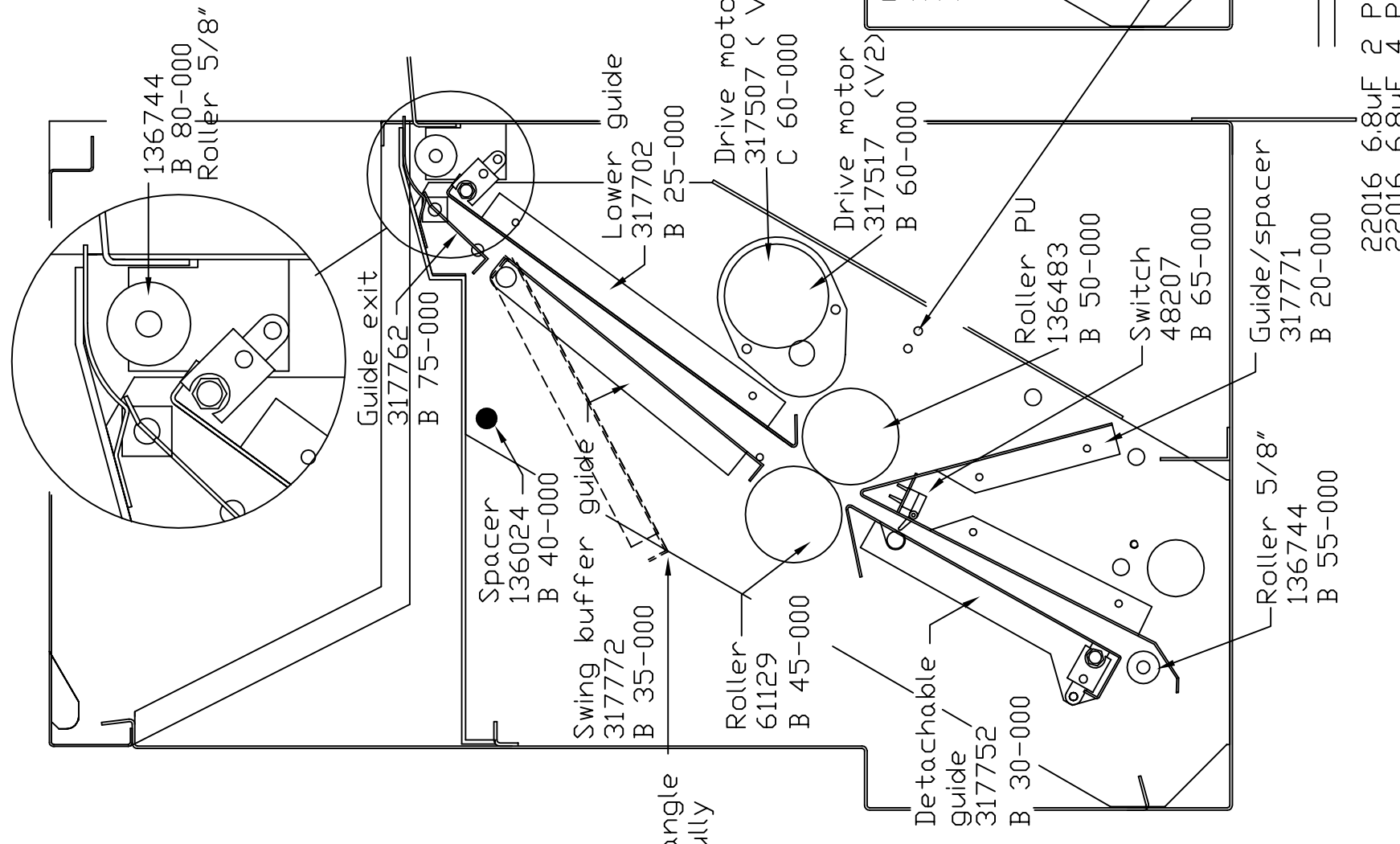
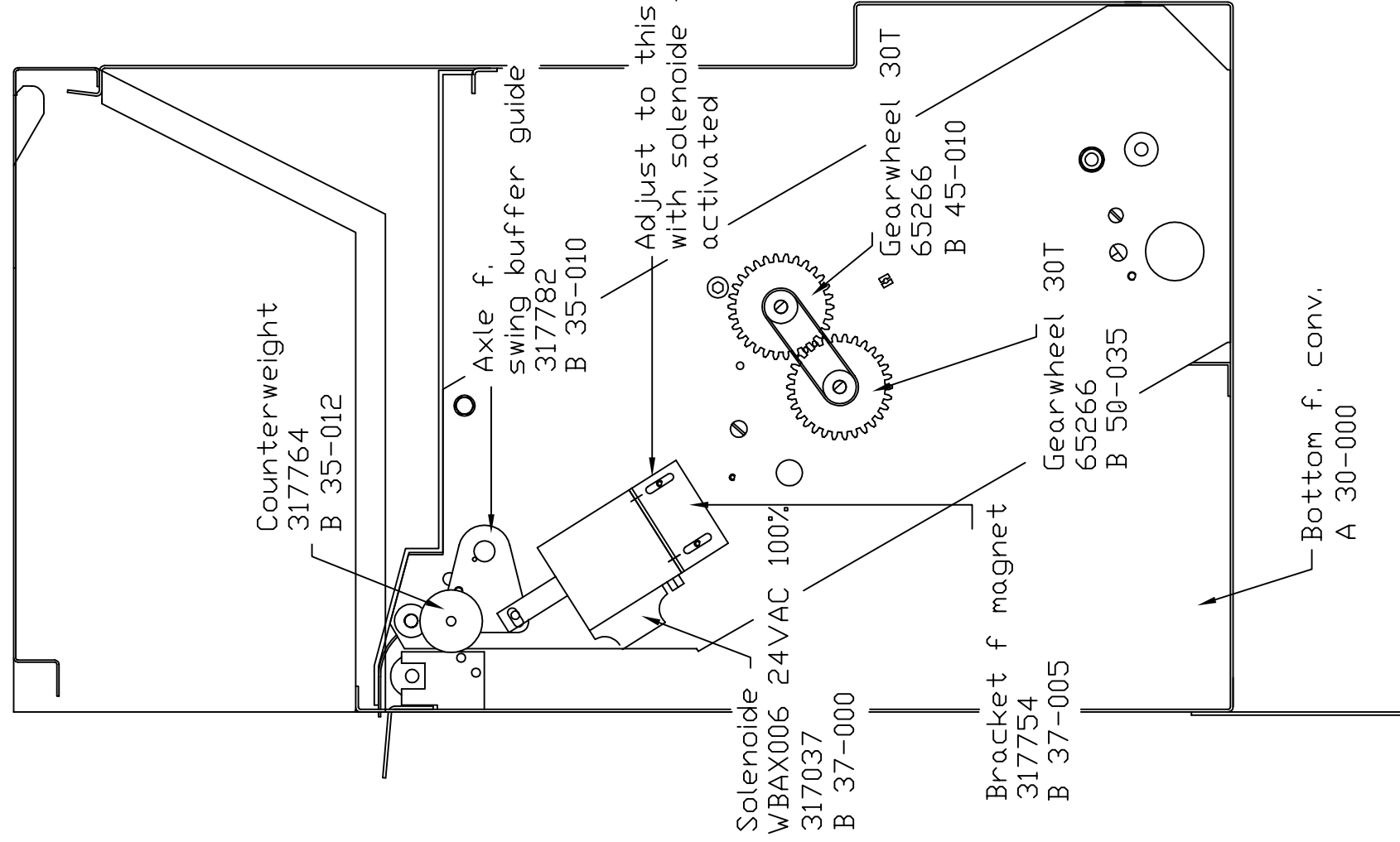


LEFT SIDE

LEFT SIDE
CUT AWAY

RIGHT SIDE



22016 68uF 2 Pcs. V2
22016 6.8uF 4 Pcs. V3/V4

A xx-xxx : See partslist 103321 Covering pl. Dolev800/GL36"

B xx-xxx : See partslist 317739 Transport rack conv. Dolev 800 mk2

C xx-xxx : Special Motor for 317738 Conveyor rack Dolev 800V3/4

Name :	TRANSPORT RACK	Div. :	26-6-95/HS
	DOLEV 800 MK2	Drawing no. :	317739A