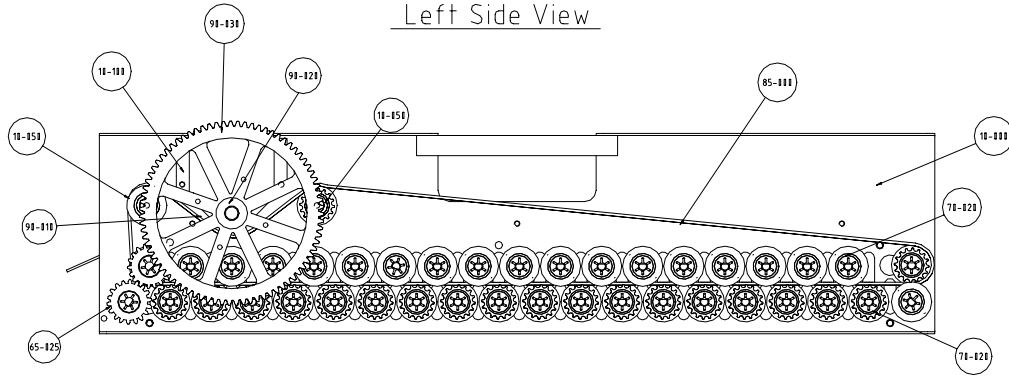
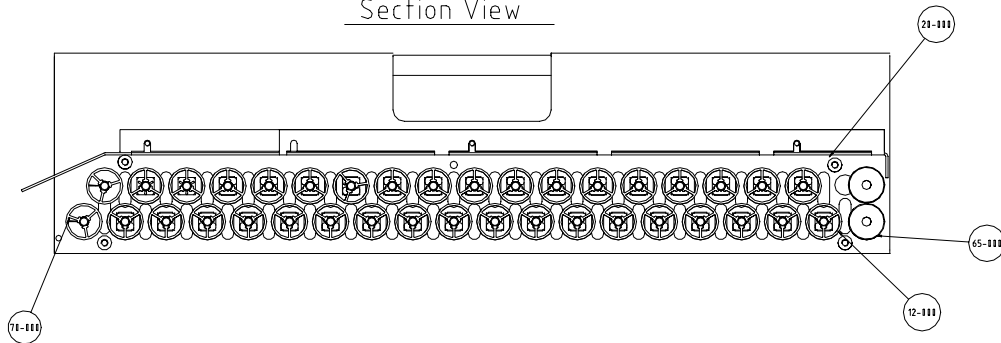


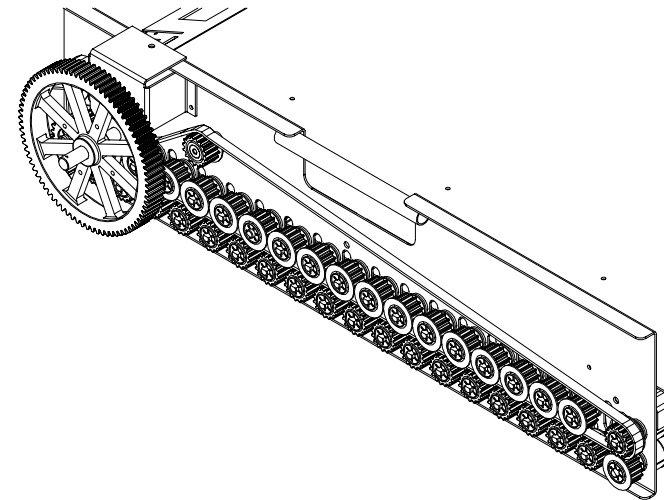
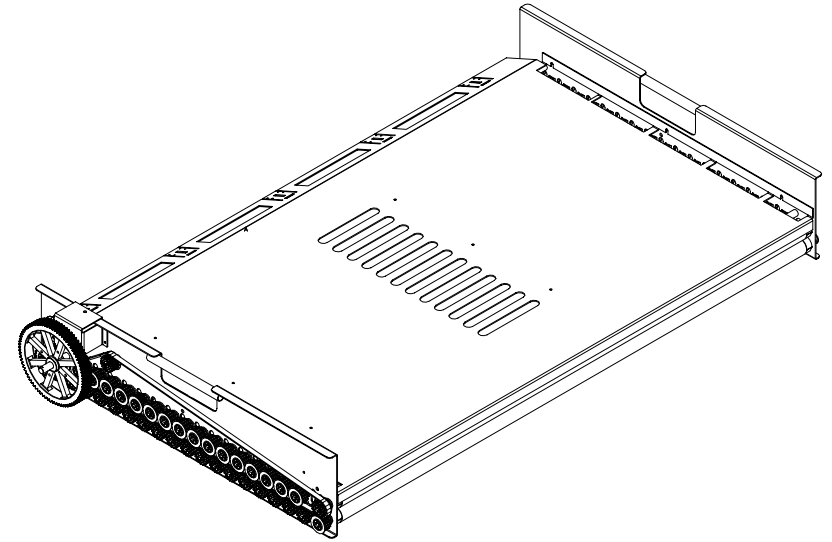
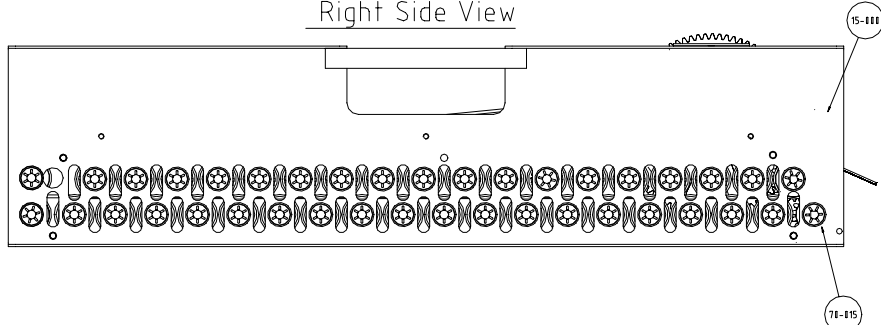
Left Side View



Section View



Right Side View



This Document contains proprietary data of Echo Graphic. No information, reproduction or use of any part thereof may be used without written permission.				Echo Graphic	
Tolerance unless otherwise specified : machined surfaces DS 2768-1 measurements under 120mm after folding ±0.5				Håndværkervej 2-6 DK-9560 Hadsund Danmark	
				Telefon 98571955 Telefax 98571591	
More Than	Incl.	Tol. +	Surface Treatment :	Designer : JLJ	Drawn : JLJ
(0,5)	6	0.1		Date : 16.06.00	Scale : 1:2,5
(6)	30	0.2		Name :	K.nr :
(30)	120	0.3	Material :	Dry Rack R60	
(120)	315	0.5		EG 901	
(315)	1000	0.8		Drawing no. :	
(1000)	2000	1.2		320108	
				-	