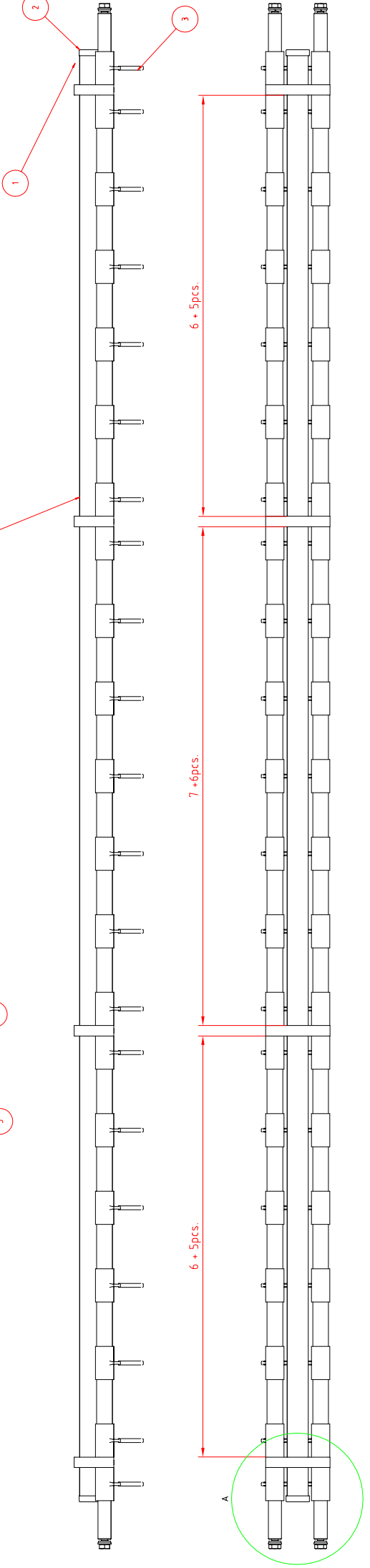
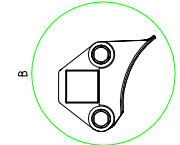
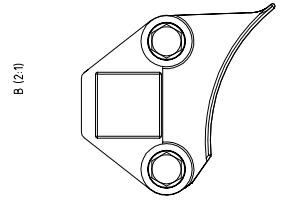
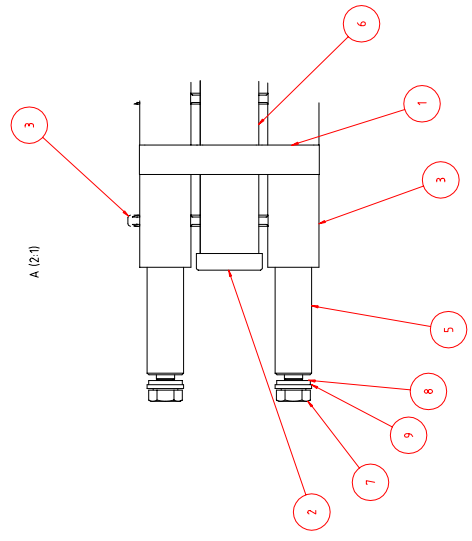
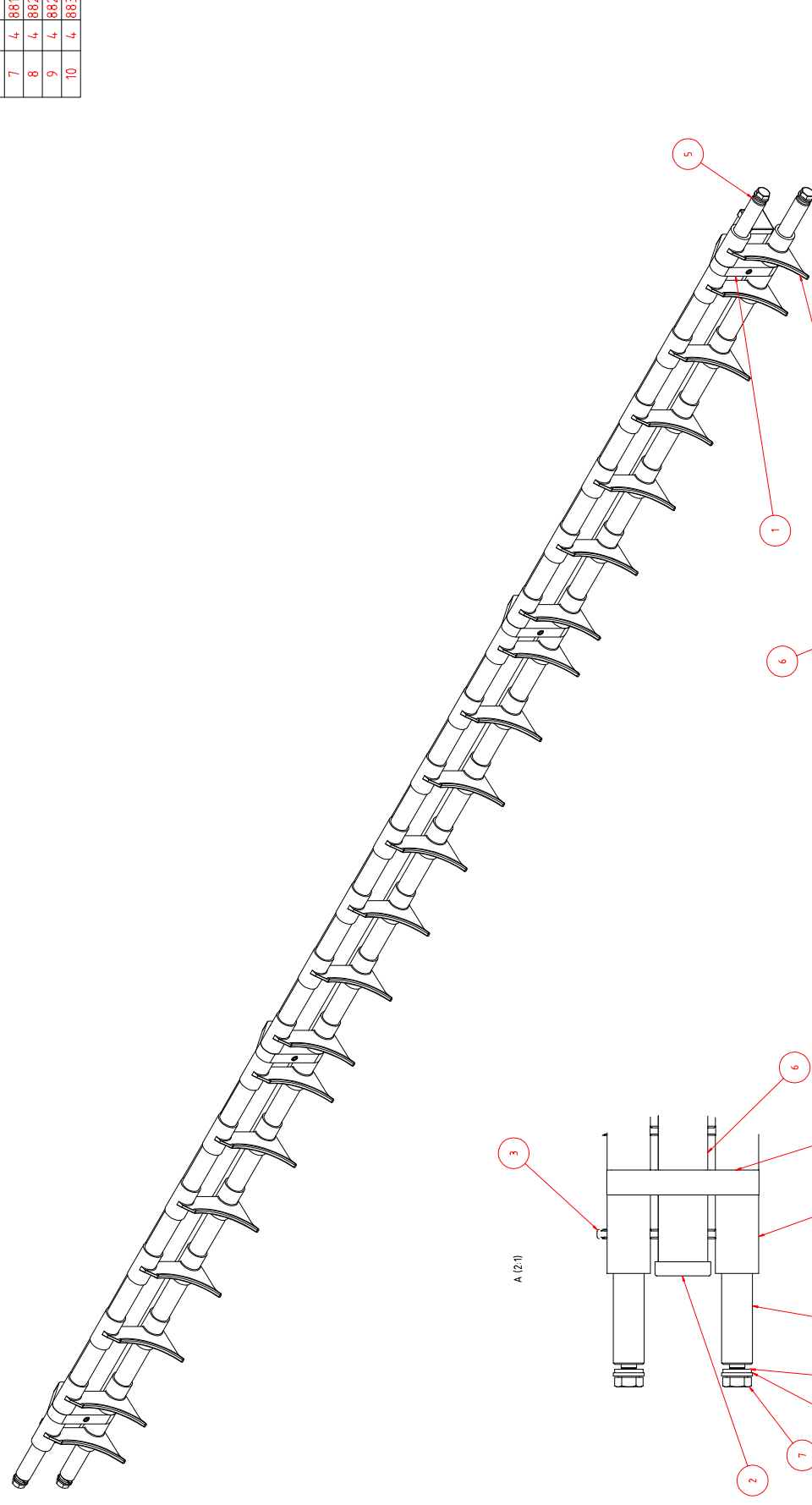


1 2 3 4 5 6 7 8 9 10 11 12 13 14 15 16

Pos.	Pcs.	Dwg/part nr.	Title
1	4	136155	Guide support f. crossover
2	2	217117	End plug 18x18 mm black
3	21	217154	Cross over guide
4	32	233994	Distance tube $\phi 10 \times 12 \times 34$
5	2	330014	Spacer $\phi 10 \times 116 \text{mm}$ solid 2xM5
6	1	330164	Support crossover guides 114
7	4	88100	Screw Set Mg 5x10 A4 Din 933
8	4	88202	Spring Washer 5MM A4 Din 127B
9	4	88213	Flat washer 5.3x10x1MMA4 D125A
10	4	88366	Pinol screw 4MGx10 Din 916 A4



Pos.	Pcs.	Dwg/part nr.	Title
1	4	136155	Guide support f. crossover
2	2	217117	End plug 18x18 mm black
3	21	217154	Cross over guide
4	32	233994	Distance tube $\phi 10 \times 12 \times 34$
5	2	330014	Spacer $\phi 10 \times 116 \text{mm}$ solid 2xM5
6	1	330164	Support crossover guides 114
7	4	88100	Screw Set Mg 5x10 A4 Din 933
8	4	88202	Spring Washer 5MM A4 Din 127B
9	4	88213	Flat washer 5.3x10x1MMA4 D125A
10	4	88366	Pinol screw 4MGx10 Din 916 A4

This document contains proprietary data of Echo Graphic. No part hereof may be used without written permission. Tolerances unless otherwise specified: machined surfaces ISO 2768 - M measurements under 120mm after folding $\pm 0,5$

Echo Graphic
 Echo Graphic A/S Phone int.: +45 98 57 19 55
 2. Håndværkervej Fax int.: +45 98 57 15 91
 DK 5960 Haldum e-mail: info@echographic.dk
 Denmark www.echographic.dk

14-02-2002	ck	Guide inlet 217154_2xM5	A1	1	1.2
					330627

1 2 3 4 5 6 7 8 9 10 11 12 13 14 15 16