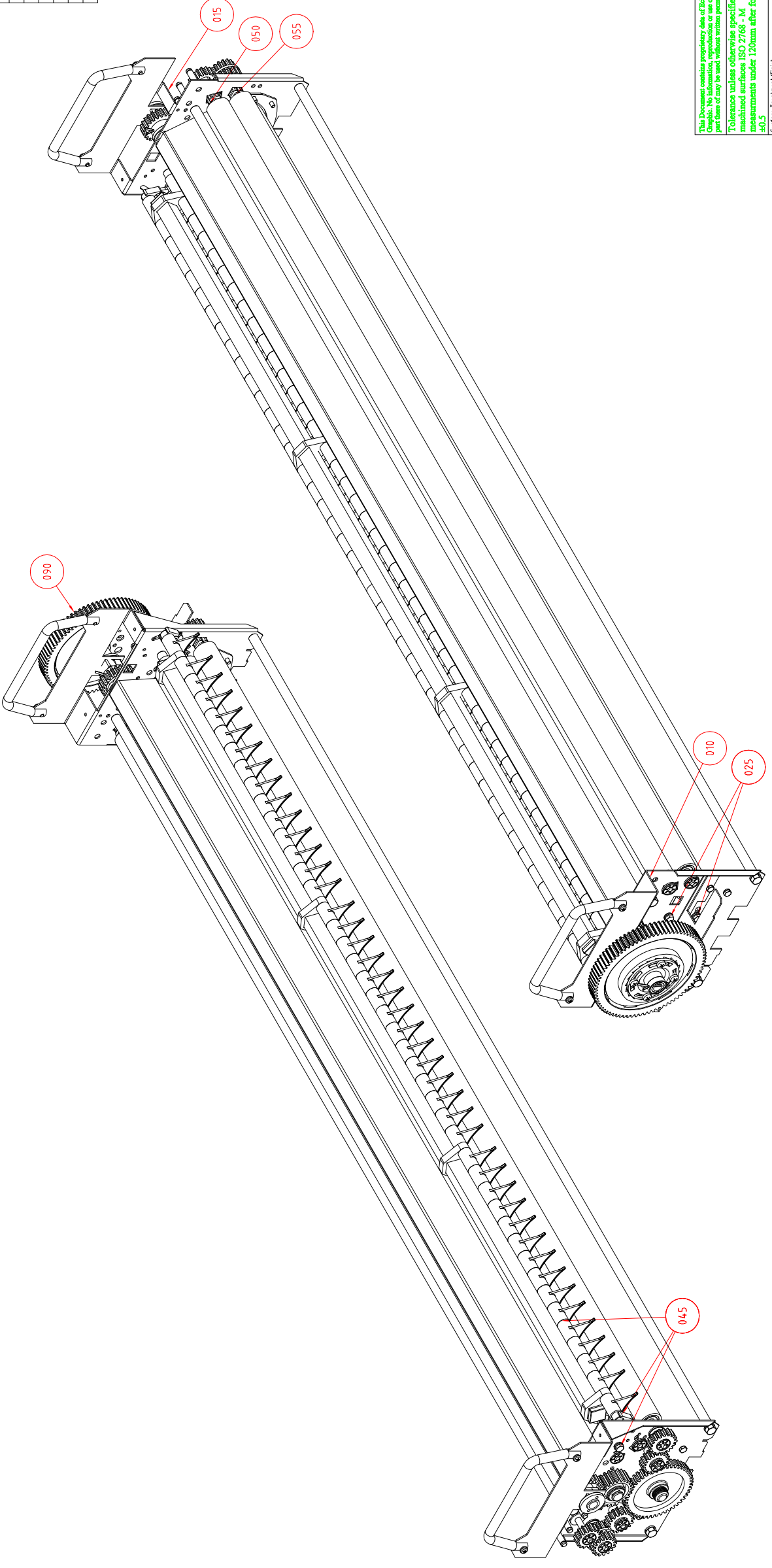
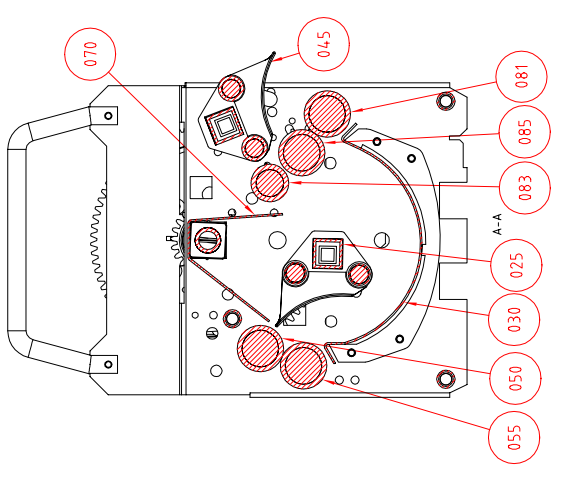
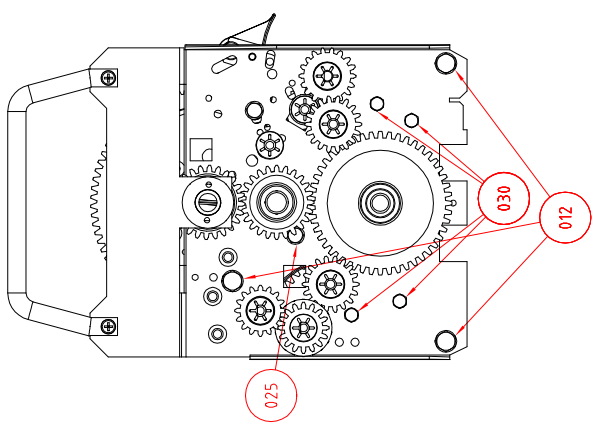
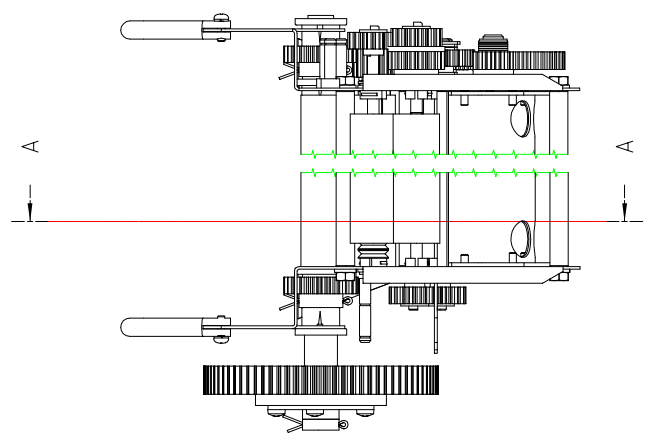
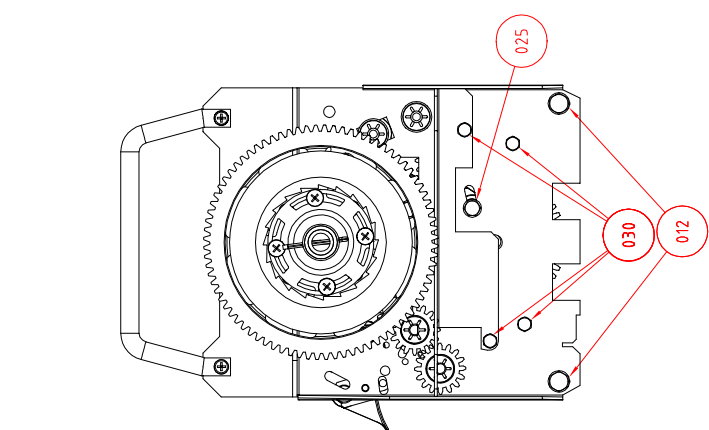


1 2 3 4 5 6 7 8 9 10 11 12 13 14 15 16

Pos.	Dwg/part nr.	Title	Pcs
010	10-xxx		1
010-000	305345	Rackside L Gear R18 camera	1
010-035	233054	Handle for rack	1
010-040	88024	Screw M4x12 PHX-PQZI 7985 A4	2
010-045	88201	Spring Washer 4mm A4 DIN 127B	2
012	12-xxx		1
012-000	330004	Spacer Ø10x1x168mm	3
012-005	88061	Screw 6x30 A4 DIN 571	6
012-010	65633	Plug S8	6
012-015	88203	Spring Washer 6mm A4 DIN 127B	6
015	15-xxx		1
015-000	305365	Rackside R Gear R18 camera	1
015-007	68669	Tape (Act)	8
015-035	233054	Handle for rack	1
015-040	88024	Screw M4x12 PHX-PQZI 7985 A4	2
015-045	88201	Spring Washer 4mm A4 DIN 127B	2
025	25-xxx		1
025-000	330627	Guide inlet 217154 2xM5	1
030	30-xxx		1
030-000	330905	Plate guide 11x Complete	1
030-015	88102	Screw Set Mg 4x10 A4 DIN 933	8
030-020	88201	Spring Washer 4mm A4 DIN 127B	8
030-100	324050	Evaporation cover Rackside	1
045	45-xxx		1
045-000	330825	Guide outlet 217154 M5 /white	1
050	50-xxx		1
050-000	330354	Roller soft EPDM 1"x114.3	1
055	55-xxx		1
055-000	330354	Roller soft EPDM 1"x114.3	1
070	70-xxx		1
070-000	330165	Evaporation Cover R18 1166mm	1
081	81-xxx		1
081-000	330354	Roller soft EPDM 1"x114.3	1
083	83-xxx		1
083-000	330034	Roller soft EPDM 13/16" x 114.3	1
085	85-xxx		1
085-000	330354	Roller soft EPDM 1"x114.3	1
090	90-xxx		1
090-000	330596	Drive axle114.3 Ø14 80T/24 T PP	1

Pos.	Dwg/part nr.	Title
010	10-xxx	
010-000	305345	Rackside L Gear R18 camera
015	15-xxx	
015-000	305365	Rackside R Gear R18 camera
025	25-xxx	
025-000	330627	Guide inlet 217154 2xM5
045	45-xxx	
045-000	330825	Guide outlet 217154 M5 /white
090	90-xxx	
090-000	330596	Drive axle114.3 Ø14 80T/24 T PP



Echo Graphic
 Phone int.: +45 98 57 19 55
 2. Handværkervej Fax int.: +45 98 57 15 91
 DK 9560 Hadramod e-mail: info@echographic.dk
 www.echographic.dk

This drawing contains proprietary data of Echo Graphic. No part of this drawing may be used without written permission. Tolerances unless otherwise specified: machined surfaces ISO 2768 - M measurements under 120mm after folding ±0.5 Surface Treatment/Finish

Scale 1:2
 Sheet Number 1
 Dwg No 330946
 Rev -
 Defl Date 13-05-2002
 Drawn by ck