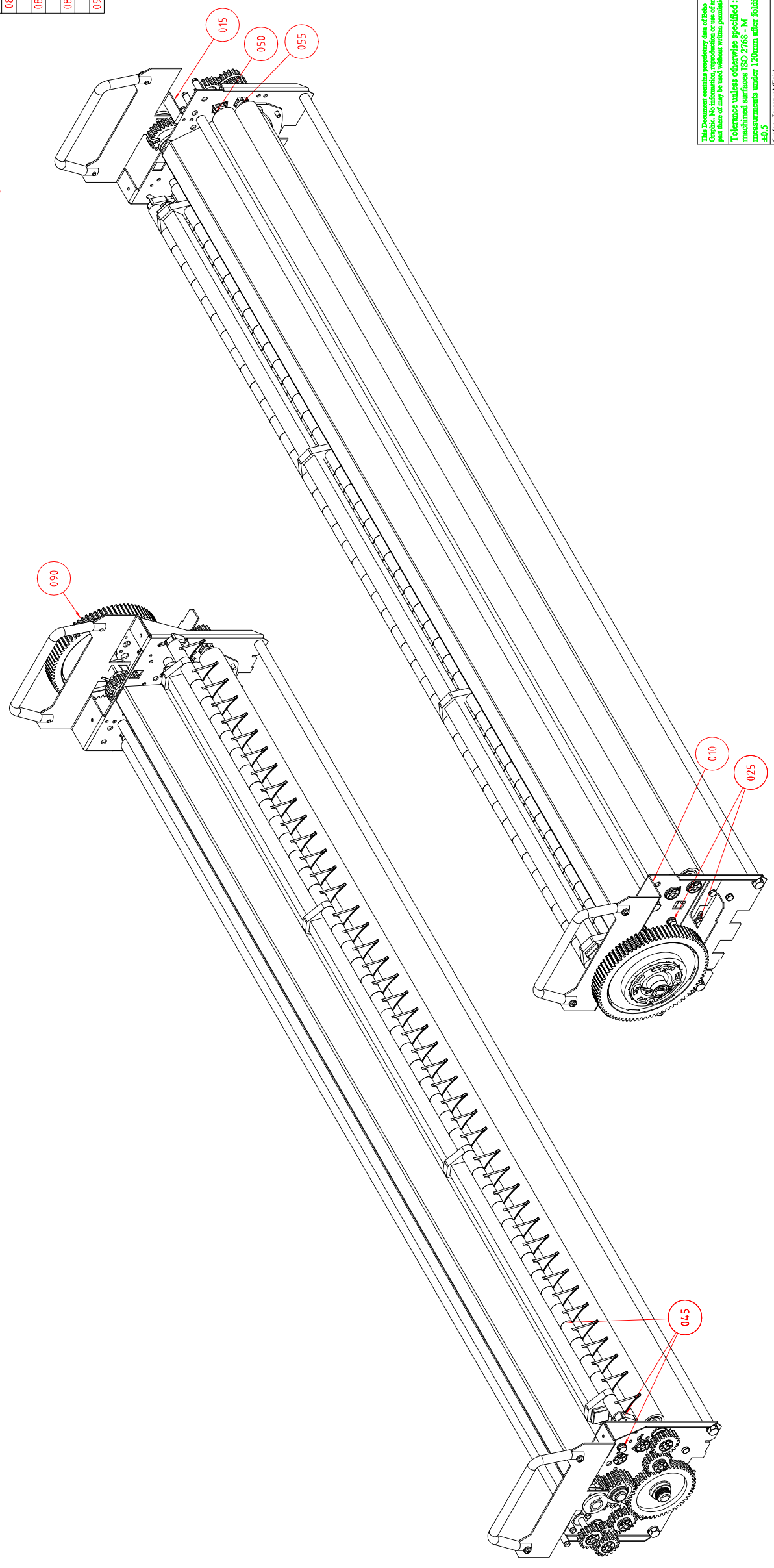
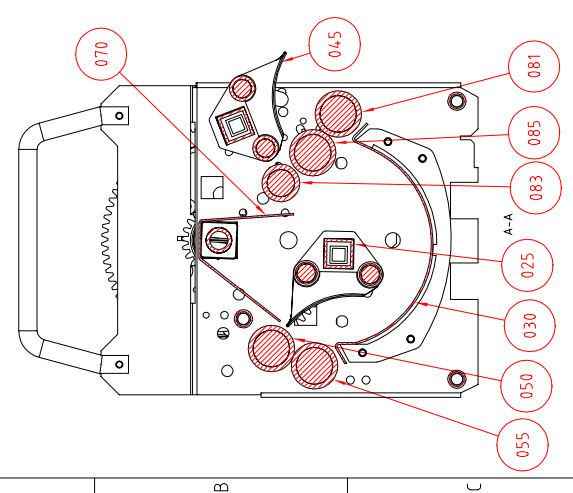
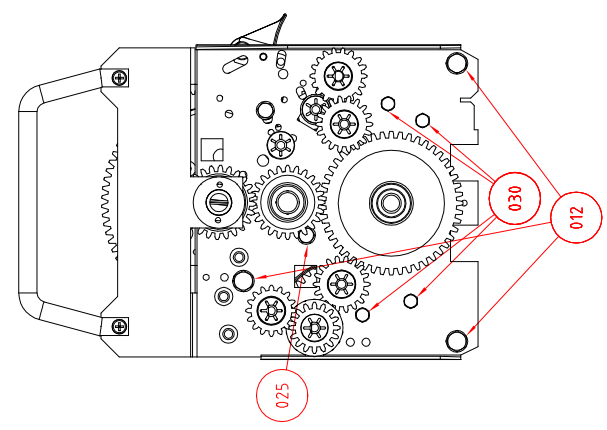
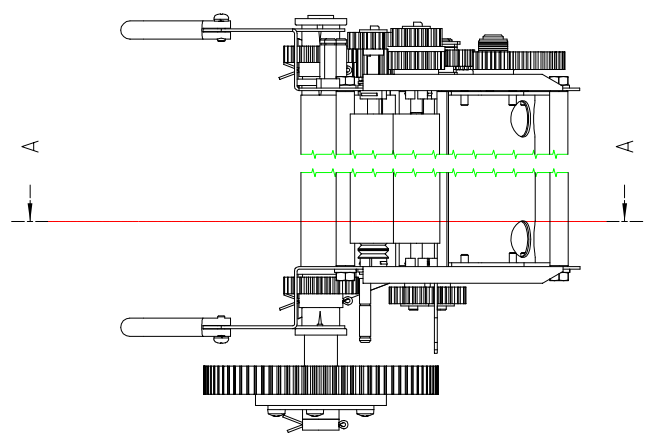
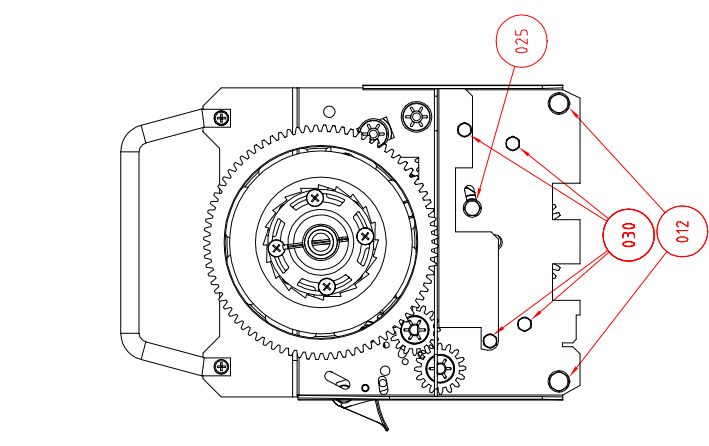


1 2 3 4 5 6 7 8 9 10 11 12 13 14 15 16

Pos.	Dwg/part nr.	Title	Pcs
010	10-xxx		1
010-000	305345	Rackside L Gear R18 camera	1
010-035	Z33054	Handle for rack	1
010-040	88024	Screw M4x12 PHX-PQZI 7985 A4	2
010-045	88201	Spring Washer 4mm A4 DIN 127B	2
012	12-xxx		1
012-000	330004	Spacer Ø10x1x168mm	3
012-005	88061	Screw 6x30 A4 DIN 571	6
012-010	65633	Plug S8	6
012-015	88203	Spring Washer 6mm A4 DIN 127B	6
015	15-xxx		1
015-000	305365	Rackside R Gear R18 camera	1
015-007	88057	Label "Stab" Blue	1
015-035	Z33054	Handle for rack	1
015-040	88024	Screw M4x12 PHX-PQZI 7985 A4	2
015-045	88201	Spring Washer 4mm A4 DIN 127B	2
025	25-xxx		1
025-000	330627	Guide inlet Z17154 ZxM5	1
030	30-xxx		1
030-000	330905	Plate guide 11x Complete	1
030-015	88102	Screw Set Mg 4x10 A4 DIN 933	8
030-020	88201	Spring Washer 4mm A4 DIN 127B	8
030-100	324050	Evaporation cover Rackside	1
045	45-xxx		1
045-000	330825	Guide outlet Z17154 M5 /white	1
050	50-xxx		1
050-000	330354	Roller soft EPDM 1"x114.3	1
055	55-xxx		1
055-000	330354	Roller soft EPDM 1"x114.3	1
070	70-xxx		1
070-000	330165	Evaporation Cover R18 1166mm	1
081	81-xxx		1
081-000	330354	Roller soft EPDM 1"x114.3	1
083	83-xxx		1
083-000	330034	Roller soft EPDM 13/16" x 114.3	1
085	85-xxx		1
085-000	330354	Roller soft EPDM 1"x114.3	1
090	90-xxx		1
090-000	330596	Drive axle114.3 Ø14. 80T/24 T PP	1

Pos.	Dwg/part nr.	Title
010	10-xxx	
010-000	305345	Rackside L Gear R18 camera
015	15-xxx	
015-000	305365	Rackside R Gear R18 camera
025	25-xxx	
025-000	330627	Guide inlet Z17154 ZxM5
045	45-xxx	
045-000	330825	Guide outlet Z17154 M5 /white
090	90-xxx	
090-000	330596	Drive axle114.3 Ø14. 80T/24 T PP



This drawing contains proprietary data of Echo Graphic. No part of this drawing may be reproduced or transmitted in any form or by any means electronic, mechanical, photocopying, recording, or by any information storage and retrieval system without permission in writing from Echo Graphic.

Tolerance unless otherwise specified:
 machined surfaces ISO 2768 - M
 measurements under 120mm after folding
 ±0.5
 Surface Treatment/Finish

Material: A1
 Drawing Title: Stab rack 114cm R18 Camera
 Defn Date: 13-05-2002
 Drawn by: ck

Scale: 1:2
 Sheet Number: 1
 REV: -

Echo Graphic
 Phone int.: +45 98 57 19 55
 2. Handværkervej
 DK 9560 Hadram
 e-mail: info@echographic.dk
 www.echographic.dk